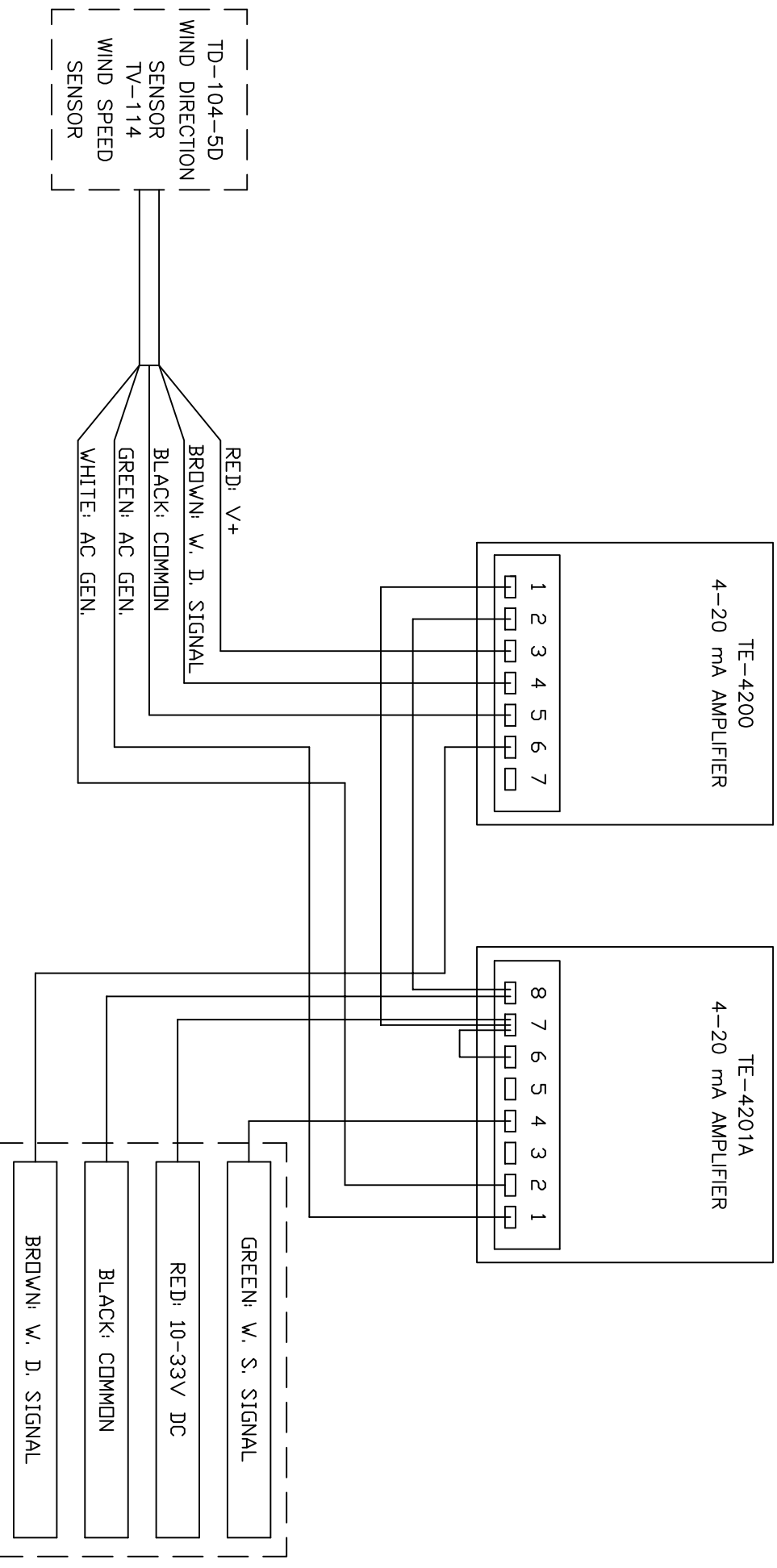


WIRING DIAGRAM



TYPICAL RANGE
 WIND SPEED: 0-100 MPH
 WIND DIRECTION: 0-357° ELECTRICAL, 0-360° MECH.

OUTPUT
 4 to 20 mA

Texas Electronics, Inc.
 The Gold Standard in Weather Instrumentation Since 1957



TITLE TD-104-5DA WIND DIRECTION &
 TV-114A WIND SPEED

SIZE	FSCM NO.	DWG NO.	REV
A		3025	A
SCALE	SHEET 1-1		