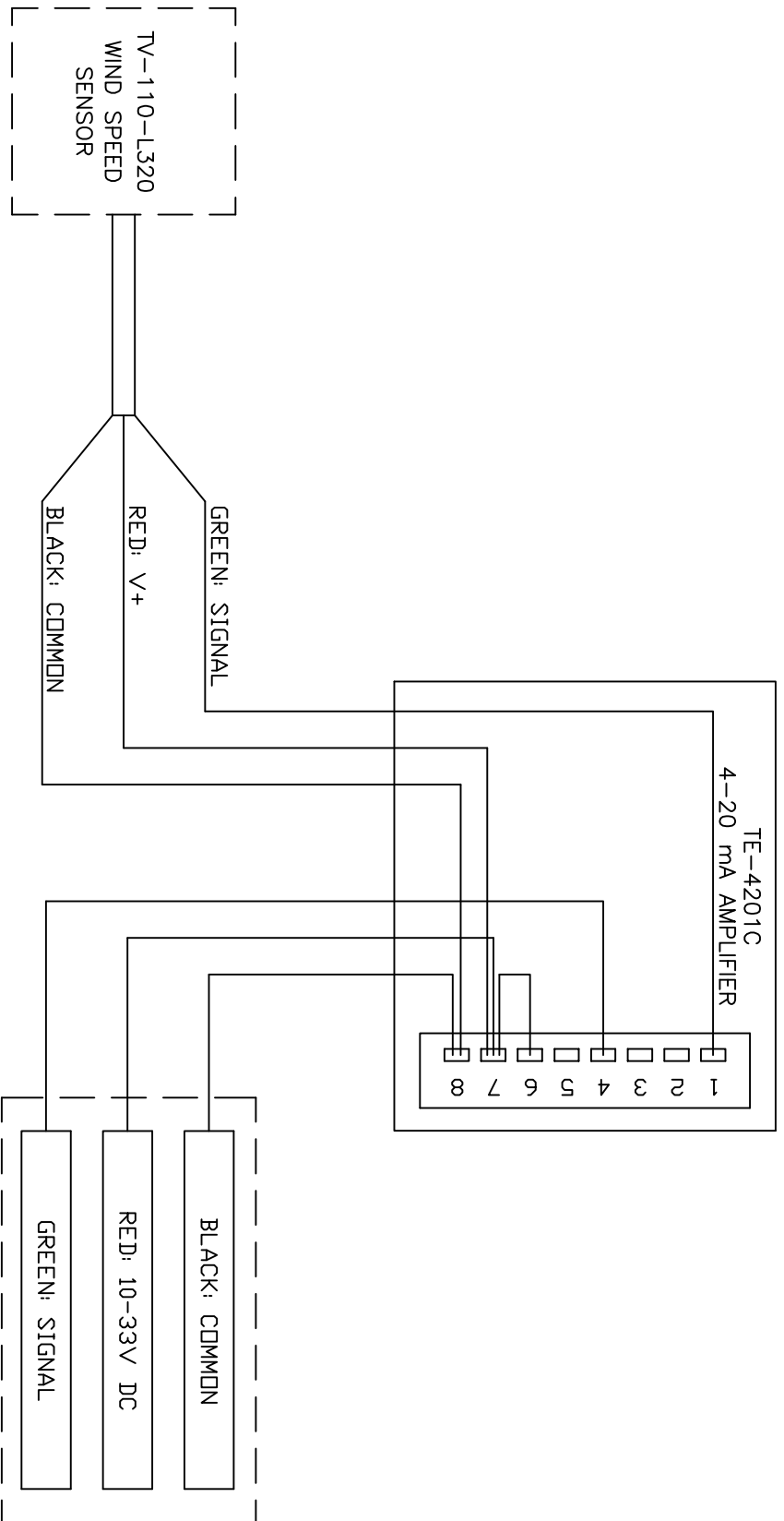



# WIRING DIAGRAM



TYPICAL RANGE  
0-100 MPH

OUTPUT  
4 to 20 mA

*Texas Electronics, Inc.*  
The Gold Standard in Weather Instrumentation Since 1957



TITLE			
TV-110-L320A WIND SPEED SENSOR			
SIZE	FSCM NO.	DWG NO.	REV
A		3017	A
SCALE	SHEET		
	1 - 1		