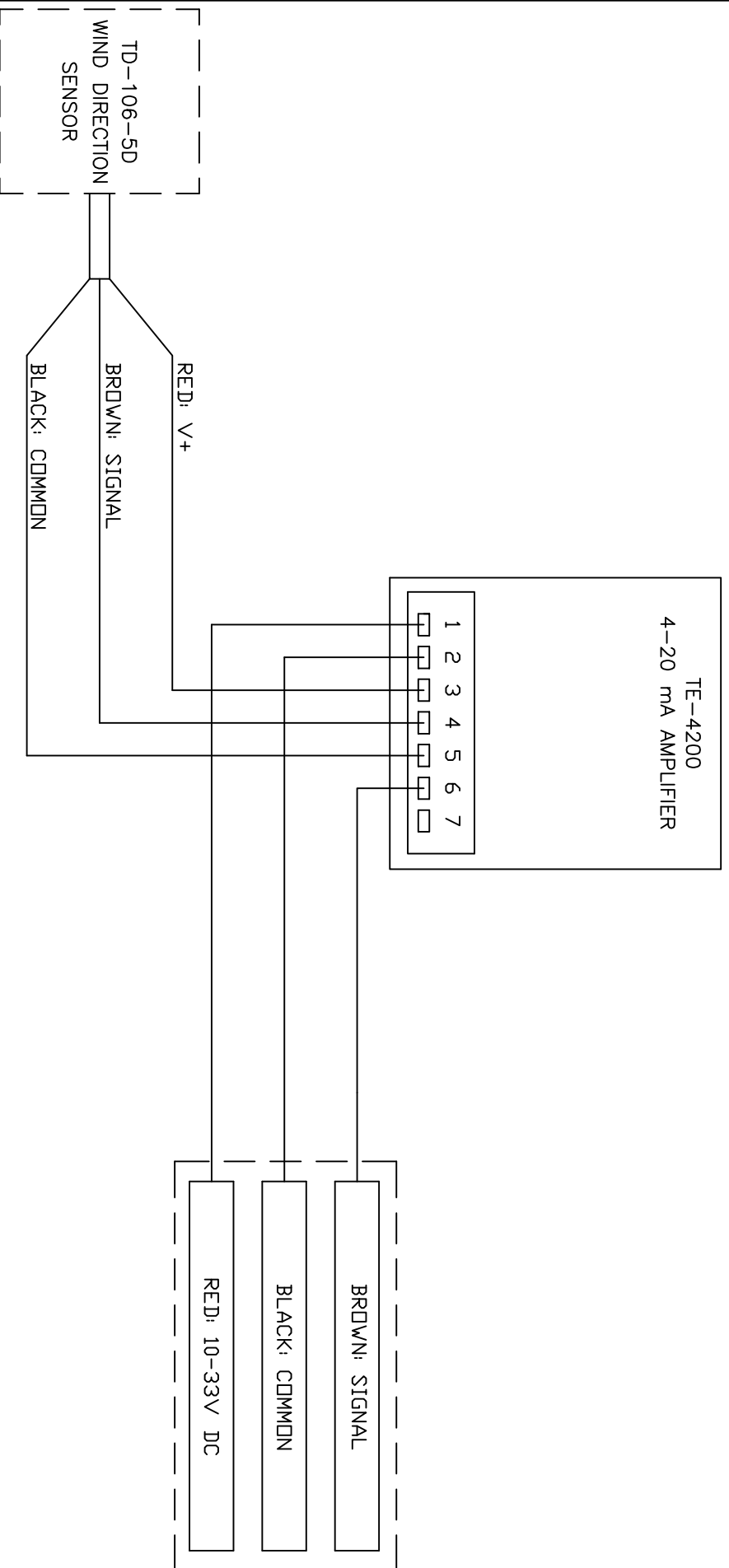


WIRING DIAGRAM



TYPICAL RANGE
0-355° ELECTRICAL, 0-360° MECH.

OUTPUT
4 to 20 mA

Texas Electronics, Inc.
The Gold Standard in Weather Instrumentation Since 1957



TITLE
TD-106A WIND DIRECTION

SIZE A	FSCM NO. A	DWG NO. 3015	REV A
SCALE	SHEET 1-1		