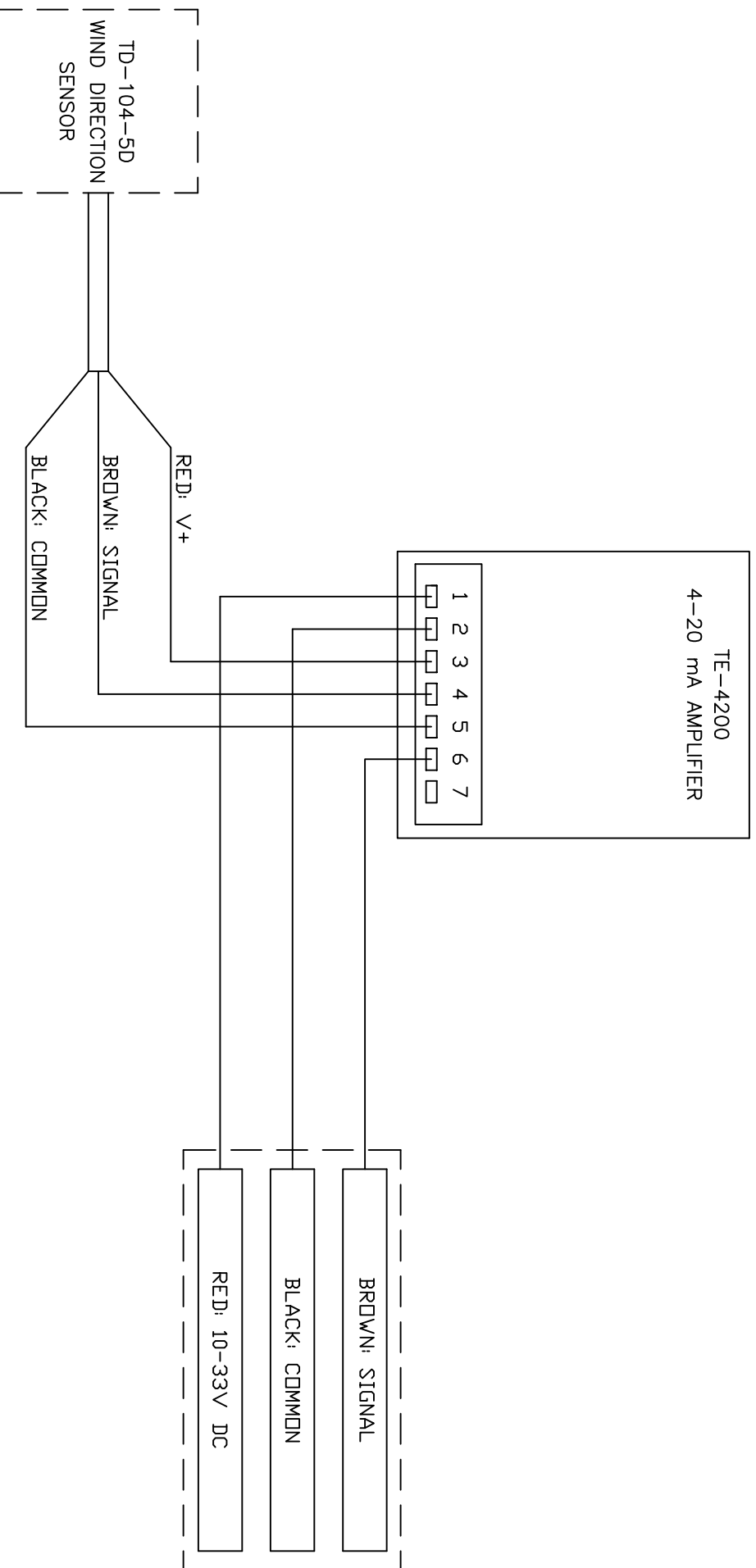



WIRING DIAGRAM



TYPICAL RANGE
 0-357° ELECTRICAL, 0-360° MECH.

OUTPUT
 4 to 20 mA

Texas Electronics, Inc.
 The Gold Standard in Weather Instrumentation Since 1957



TITLE			
TD-104-5DA WIND DIRECTION			
SIZE	FSCM NO.	DWG NO.	REV
A		3027	A
SCALE		SHEET	1 - 1