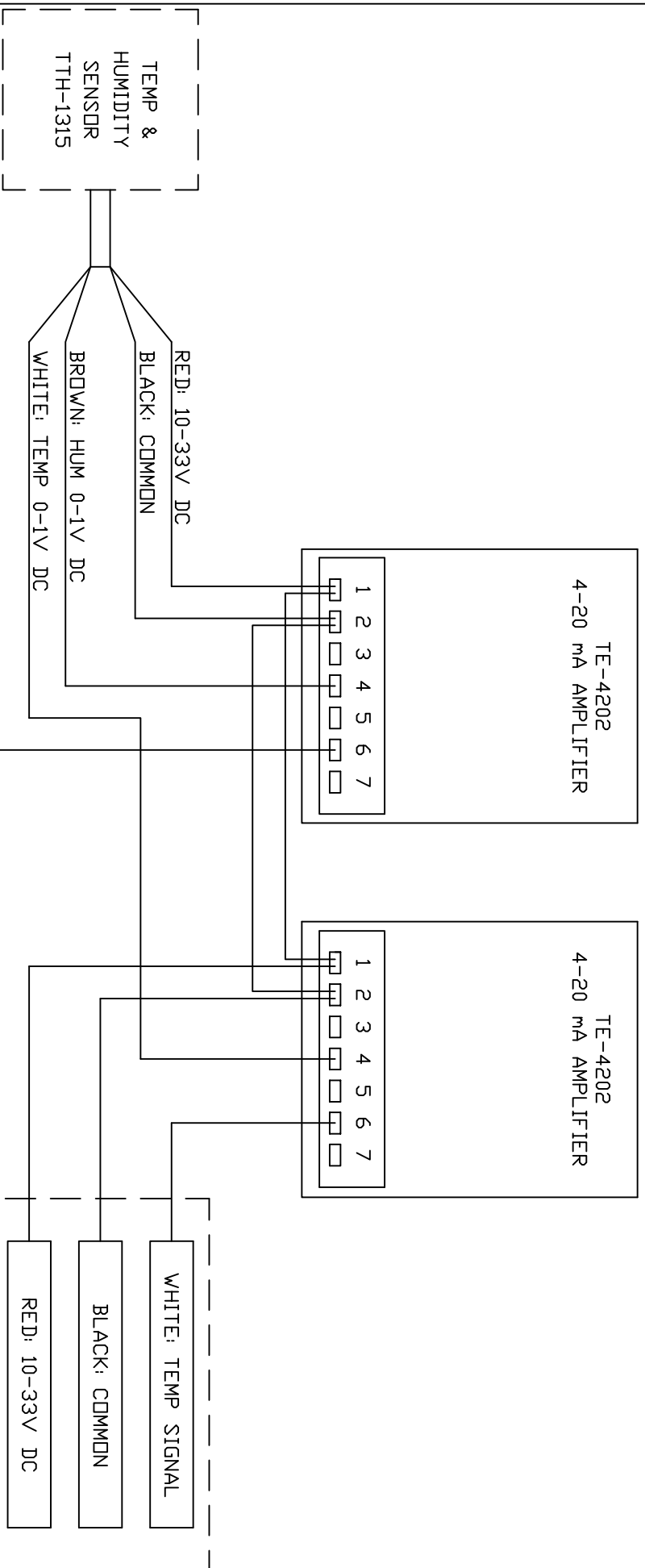


WIRING DIAGRAM



TYPICAL RANGE
 TEMPERATURE: -40° to 60° C (-40° to 140° F)
 HUMIDITY: 0-100% RH

OUTPUT
 TEMPERATURE: 4 to 20 mA
 HUMIDITY: 4 to 20 mA

Texas Electronics, Inc.
 The Gold Standard in Weather Instrumentation Since 1957



TITLE
 TTH-1315A HUMIDITY & TEMPERATURE

SIZE	FSCM NO.	DWG NO.	REV
A		3004	A
SCALE		SHEET 1-1	